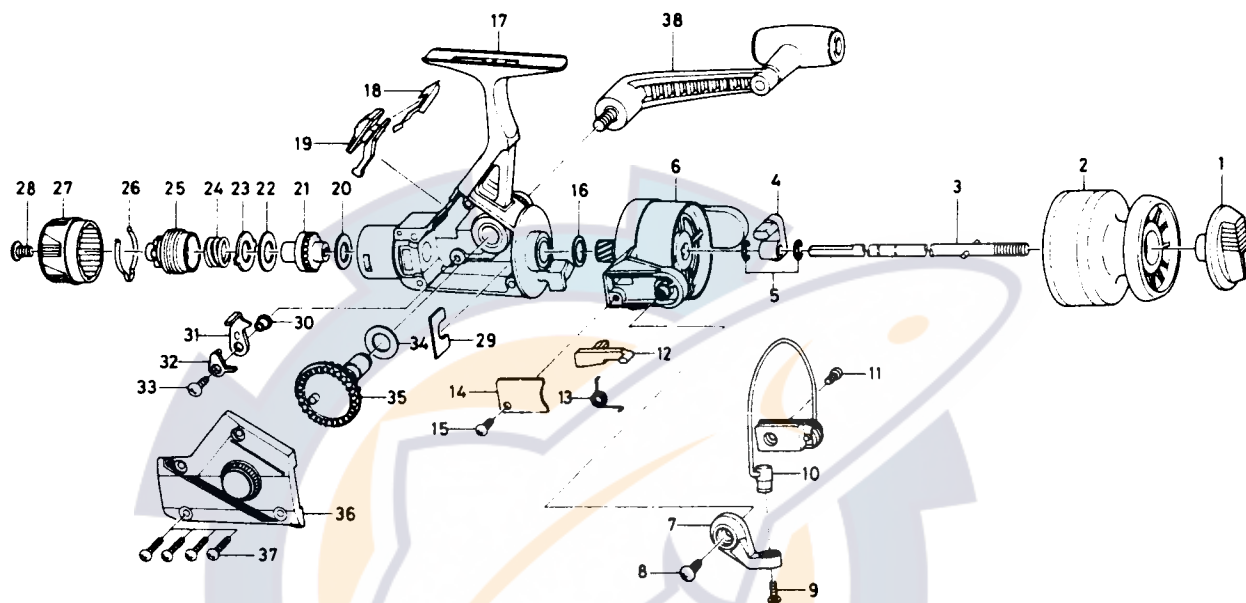


SPINNING REEL – M1350



Key No.	Part No.	Part Name	Price
1	L50-3601	Spool cap	.95
2	L50-3302	Spool assembly	3.75
3	L50-2301	Main shaft assembly	1.25
4	L50-2201	Oscillating support	.55
5	320-8202	Oscillating support retainer	.45
6	L50-1101	Rotor assembly	3.50
7	L50-1301	Bail arm	.65
8	L00-2602	Bail arm screw	.45
9	B67-9301	Line roller screw	.40
10	L50-1601	Bail	2.40
11	L01-1702	Bail trip cam screw	.35
12	L50-1401	Bail trip lever	.80
13	B91-6501	Bail spring	.50
14	L50-1501	Bail spring cover	.65
15	L01-1702	Bail spring cover screw	.35
16	372-8600	Rotor washer	.35
17	E31-2102	Body	3.50
18	B79-0101	Anti-reverse cam	.55
19	L50-0901	Anti-reverse lever	.55

Key No.	Part No.	Part Name	Price
20	B46-9505	Drag washer A	.45
21	B76-9801	Click gear	.75
22	B78-6602	Drag washer B	.50
23	B83-9501	Eared washer	.55
24	B91-3701	Drag coil spring	.65
25	B77-0003	Drag screw	.50
26	B77-0301	Drag washer spring	.45
27	L04-4204	Drag knob	.65
28	352-1105	Drag knob screw	.55
29	632-6601	Pinion retainer	.45
30	L50-4701	Anti-reverse pawl collar	.55
31	B92-0101	Anti-reverse pawl	.55
32	B50-1201	Anti-reverse pawl plate	.60
33	L00-1801	Anti-reverse pawl screw	.35
34	370-7500	Drive gear washer	.45
35	L50-2101	Drive gear	1.65
36	L50-2503	Side cover	2.75
37	L50-4601	Side cover screw	.65
38	L50-2901	Handle assembly	4.40